

THIS DRAWING IS UNPUBLISHED.

RELEASED FOR PUBLICATION

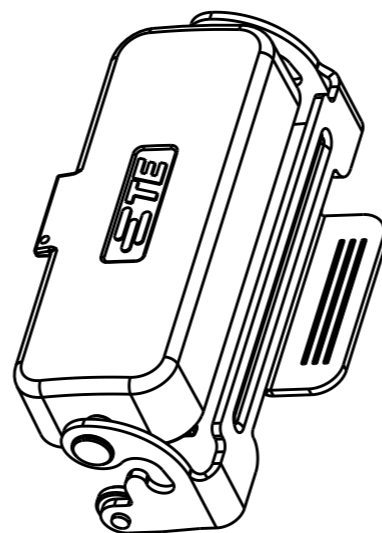
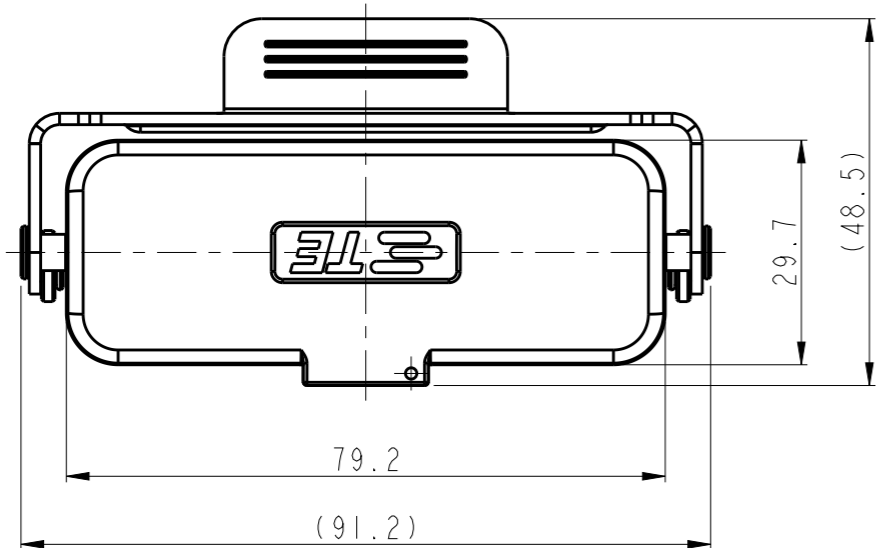
20

© COPYRIGHT 20 BY -

ALL RIGHTS RESERVED.

REVISIONS

P	LTR	DESCRIPTION	DATE	DWN	APVD
	A	INITIAL	23OCT2016	CH	CW
	AI	ECR-19-018119	28NOV2019	CH	CW



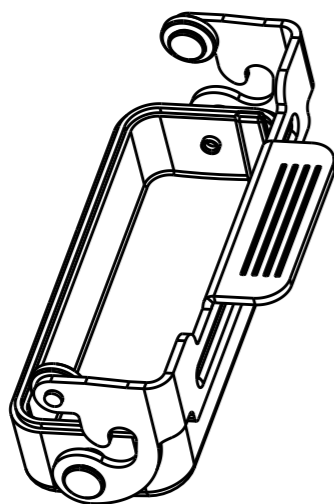
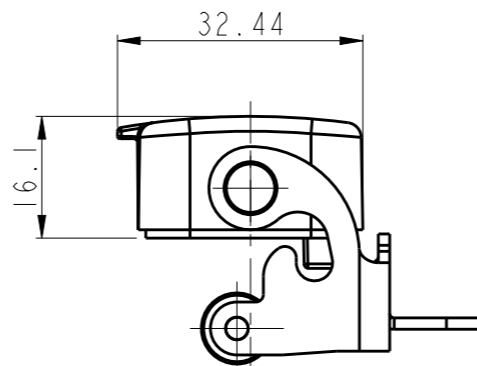
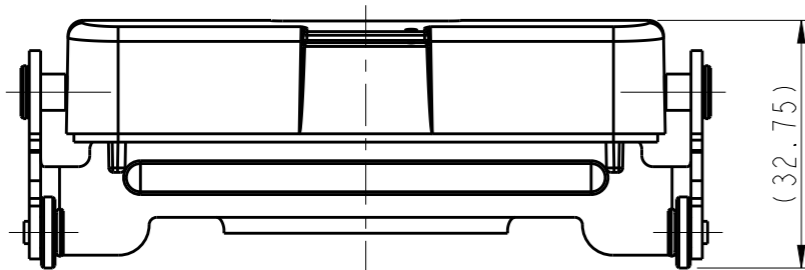
SCALE 4:5

NOTES:

- 1. TECHNICAL CHARACTERISTICS:
 HOOD MATERIAL: DIE CAST ALUMINIUM
 HOOD SURFACE: POWDER COATED, GRAY
 DEGREE OF PROTECTION: IP65 (MATED)


注释:

- 1. 技术参数:
 壳体材料: 铝合金
 壳体表面处理: 灰色粉末喷涂
 防护等级: IP65(配合)



SCALE 4:5

T1019161101-001	H16A-KDTMS-NA	H16A HOOD METAL PROTECTION COVER, STAINLESS STEEL SINGLE LOCKING, WITHOUT SEALING, WITHOUT NYLON ROPE, GRAY H16A上壳金属保护盖(不锈钢单扣、不带密封、不带尼龙绳、灰色)
PART NUMBER 料号	PART DESCRIPTION 描述	

THIS DRAWING IS A CONTROLLED DOCUMENT.		DWN 23OCT2016 CHARLIE.HU	 TE Connectivity	
DIMENSIONS: mm		CHK 23OCT2016 KYLE.ZENG		
TOLERANCES UNLESS OTHERWISE SPECIFIED:		APVD 23OCT2016 CHRIS.WANG	NAME H16A-KDTMS-NA	
0 PLC ±-		PRODUCT SPEC	-	
1 PLC ±-		APPLICATION SPEC	-	
2 PLC ±-		WEIGHT	-	
3 PLC ±-		SIZE	A3	
4 PLC ±-		CAGE CODE	-	
ANGLES ±-		DRAWING NO	G-T1019161101001	
FINISH		RESTRICTED TO		
-		CUSTOMER DRAWING	SCALE 1:1 SHEET 1 OF 1 REV AI	