

THIS DRAWING IS UNPUBLISHED.

RELEASED FOR PUBLICATION

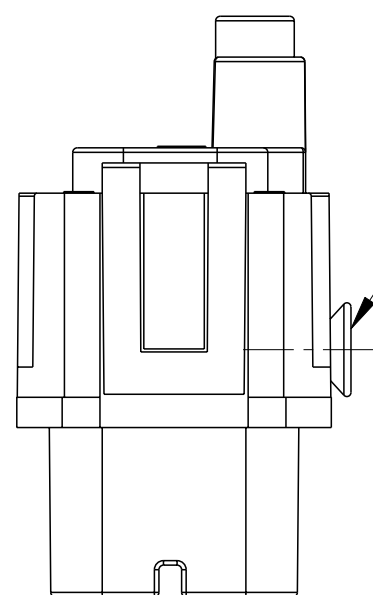
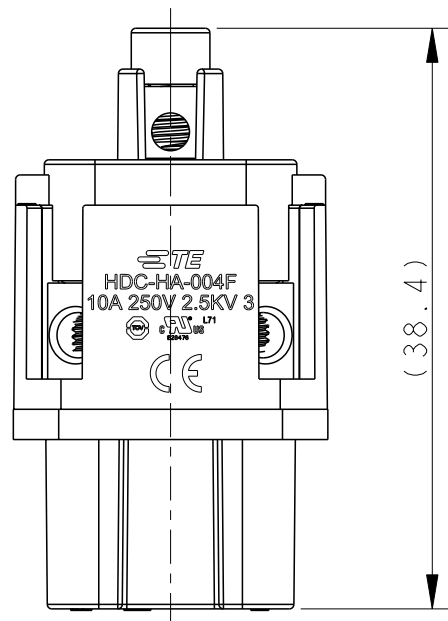
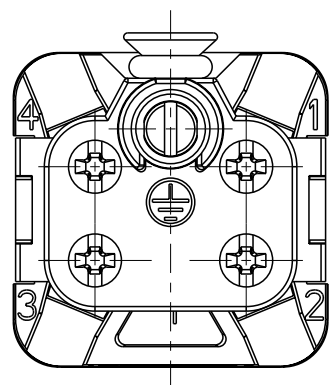
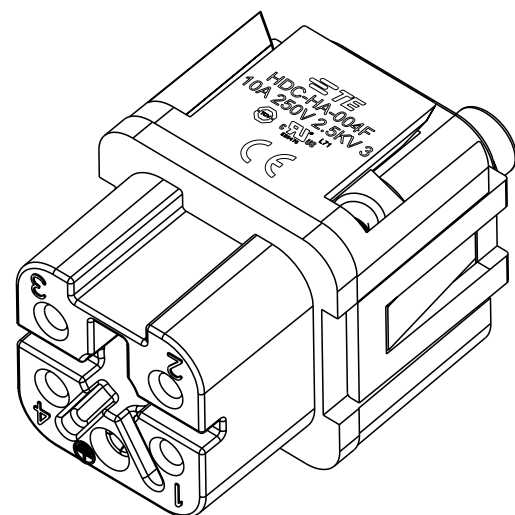
20

© COPYRIGHT 20 BY -

ALL RIGHTS RESERVED.

REVISIONS

P	LTR	DESCRIPTION	DATE	DWN	APVD
B		ECR-15-013750	21SEP2015	DW	CW
B1		ECR-15-016224	05NOV2015	DW	CW
B2		ECR-16-018198	09JAN2017	QY	CW
C		ECR-20-016101	09JUN2021	BS	CW



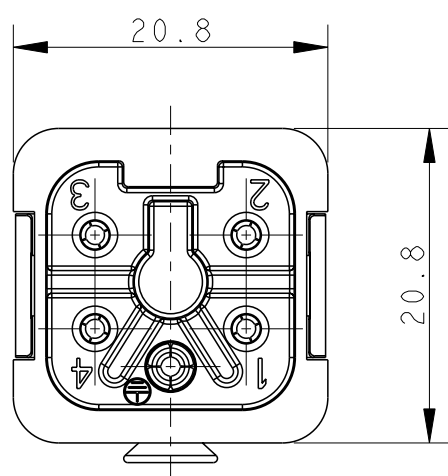
M3 SCREW,  
RECOMMENDED  
TIGHTENING  
TORQUE 0.5Nm  
M3螺丝, 推荐锁紧力矩0.5Nm

NOTES:

- TECHNICAL CHARACTERISTICS:  
INSULATION MATERIAL: PC  
RATED VOLTAGE: 250 V  
RATED CURRENT: 10 A  
INSULATION RESISTANCE:  $\geq 400M\Omega$   
RATED IMPULSE VOLTAGE: 2.5 KV  
POLLUTION DEGREE: 3  
FLAMMABILITY: UL94V-0  
MATING CYCLES: 500 CYCLES  
WIRE RANGE: 0.5-2.5 mm<sup>2</sup> (20-14 AWG)  
CONTACT FINISH: SILVER PLATED  
CONTACT TYPE: SCREW CONTACT

注释:

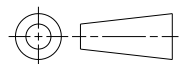
- 技术参数:  
绝缘材料: PC  
额定电压: 250V  
额定电流: 10A  
绝缘电阻:  $\geq 400M\Omega$   
额定脉冲电压: 2.5 KV  
污染等级: 3  
阻燃等级: UL94V-0  
插拔次数: 500 次  
接线范围: 0.5-2.5 mm<sup>2</sup> (20-14 AWG)  
端子表面处理: 镀银  
接线类型: 螺丝连接



TYPE-1:T2010042201-000 TE LOGO  
类型-1:T2010042201-000 TE LOGO

THIS DRAWING IS A CONTROLLED DOCUMENT.

DIMENSIONS:  
mm



TOLERANCES UNLESS OTHERWISE SPECIFIED:

0 PLC	±-
1 PLC	±-
2 PLC	±-
3 PLC	±-
4 PLC	±-
ANGLES	±-
FINISH	-

MATERIAL  
-

DWN 18DEC2014  
DAVID WANG  
CHK 18DEC2014  
CHRIS WANG  
APVD 18DEC2014  
XU XIANG

PRODUCT SPEC  
108-137045  
APPLICATION SPEC  
114-137045

WEIGHT  
-

NAME  
HA-004-F

SIZE	CAGE CODE	DRAWING NO	RESTRICTED TO
A3	00779	©T2010042201000	-

Customer Drawing SCALE 2:1 SHEET 1 OF 2 REV C



printed on 15 Jun 2021 16:16 (China Standard Time) from TE236667

A

A

D

D

C

B

THIS DRAWING IS UNPUBLISHED.

RELEASED FOR PUBLICATION

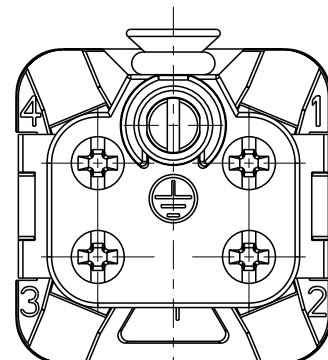
20

© COPYRIGHT 20 BY -

ALL RIGHTS RESERVED.

REVISIONS

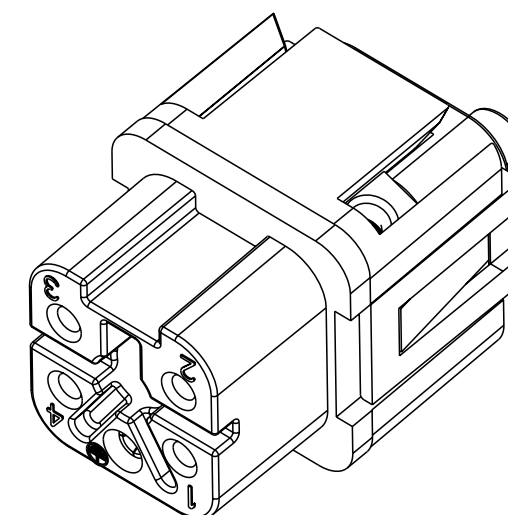
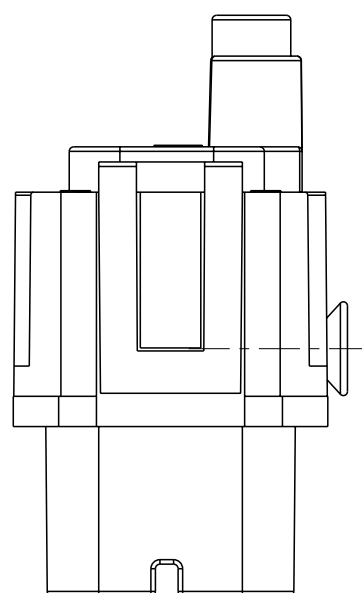
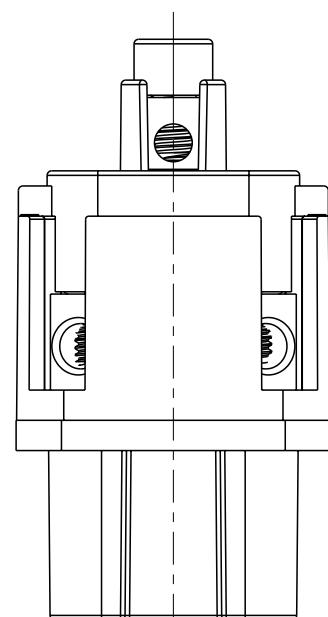
P	LTR	DESCRIPTION	DATE	DWN	APVD
-	-	SEE SHEET 1	-	-	-



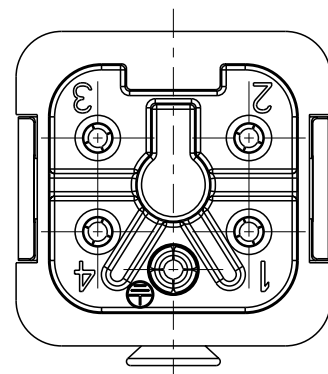
ALL DIMENSIONS ARE SAME AS TYPE 1,  
EXCEPT THOSE DEFINED IN THIS TYPE.  
除了在本类型中定义的尺寸外, 其它尺寸同类型 1

NOTES:  
SEE SHEET 1

注释:  
见页 1



TYPE-2:T2010042201-001 STAINLESS STEEL SCREW,NO LOGO  
类 型-2:T2010042201-001 不锈钢螺丝,无LOGO



T2010042201-001	HA-004-F	HA-004 FEMALE INSERT, SIDE OUTLET, TOP LOCK SCREW, STAINLESS STEEL SCREW, NO LOGO HA-004母插, 侧面出线顶部锁螺丝, 不锈钢螺丝, 无LOGO	TYPE-2 类 型-2
T2010042201-000	HA-004-F	HA-004 FEMALE INSERT, SIDE OUTLET, TOP LOCK SCREW HA-004母插, 侧面出线顶部锁螺丝	TYPE-1 类 型-1
PART NUMBER 料 号	PART DESCRIPTION 描 述		TYPE 类 型

THIS DRAWING IS A CONTROLLED DOCUMENT.		DWN 18DEC2014 DAVID WANG		
DIMENSIONS: mm		CHK 18DEC2014 CHRIS WANG		
TOLERANCES UNLESS OTHERWISE SPECIFIED:		APVD 18DEC2014 XU XIANG	NAME HA-004-F	
0 PLC ±-		PRODUCT SPEC	108-137045	
1 PLC ±-		APPLICATION SPEC	114-137045	
2 PLC ±-		WEIGHT	-	
3 PLC ±-		SIZE	A3	00779
4 PLC ±-		CAGE CODE	G-T2010042201000	
ANGLES ±-		DRAWING NO	T2010042201000	
FINISH		RESTRICTED TO	-	
MATERIAL		SCALE	2:1	SHEET 2 OF 2
-		Customer Drawing	REV C	

printed on 15 Jun 2021 16:16 (China Standard Time) from TE236667

A

A

D

D

C

B