

4

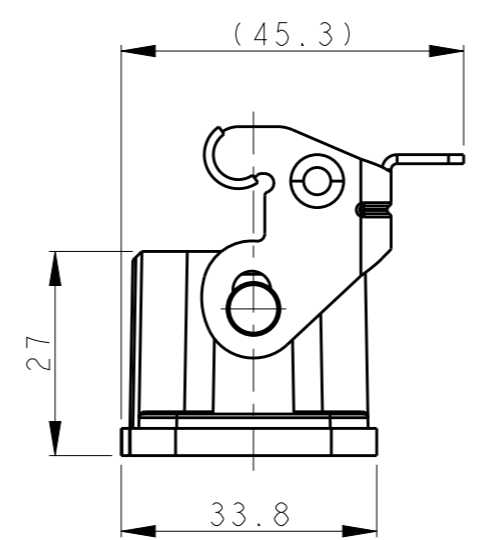
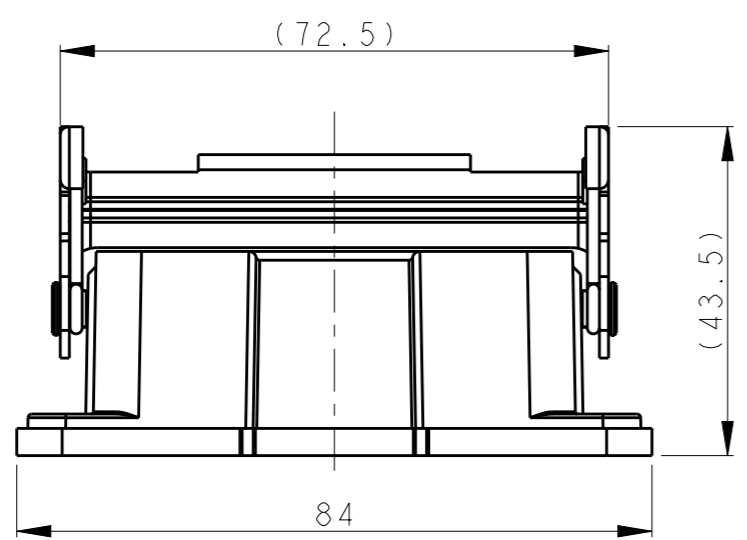
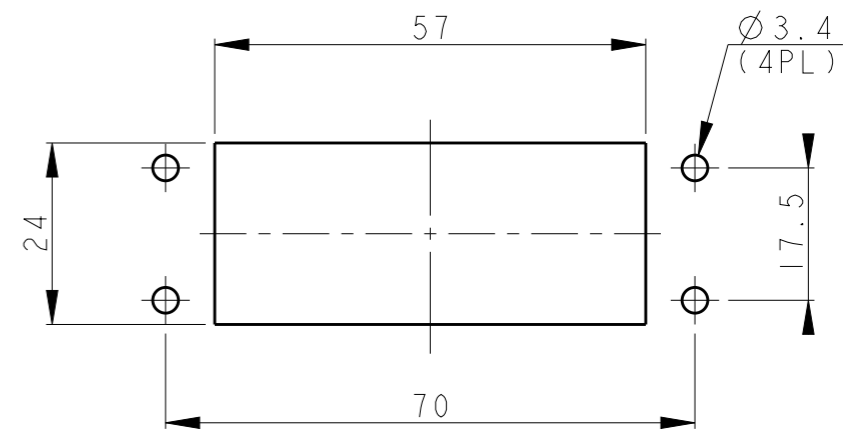
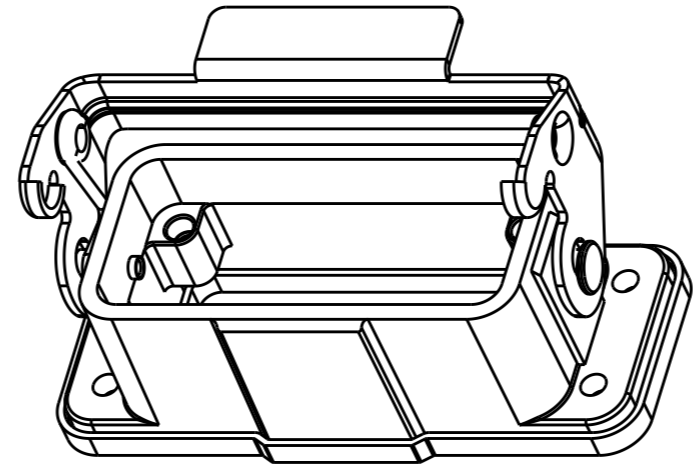
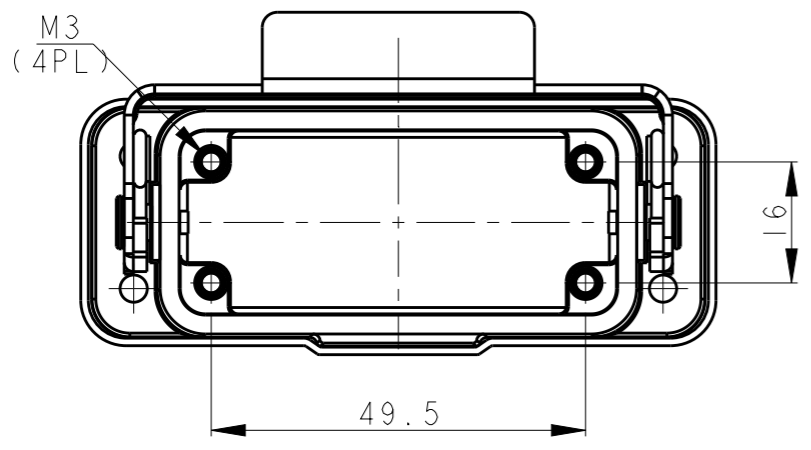
3

2

1

THIS DRAWING IS UNPUBLISHED. RELEASED FOR PUBLICATION 20
© COPYRIGHT 20 BY - ALL RIGHTS RESERVED.

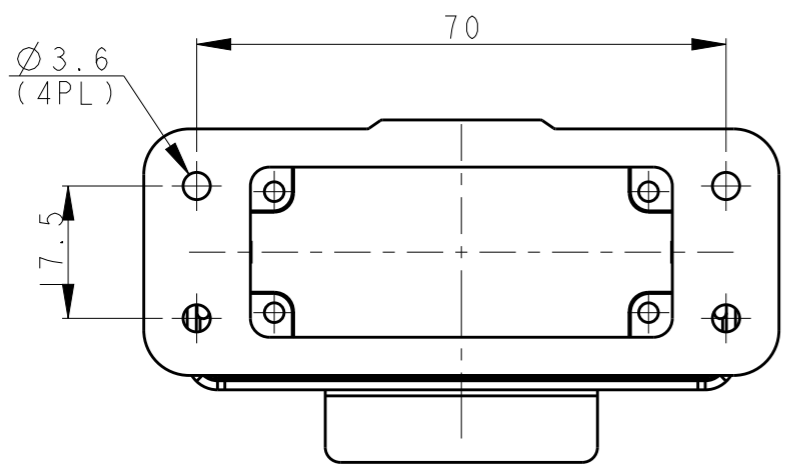
| REVISIONS | | | | | |
|-----------|-----|-----------------|-----------|-----|------|
| P | LTR | DESCRIPTION | DATE | DWN | APVD |
| | A | INITIAL RELEASE | 24APR2015 | DL | CW |
| | | | | | |
| | | | | | |



PANEL CUT OUT

NOTES:
 1. TECHNICAL CHARACTERISTICS:
 BODY MATERIAL: DIE CAST ALUMINIUM ALLOY
 SURFACE TREATMENT: POWDER-COATED, GRAY
 OPERATION TEMPERATURE: -40-+125°C
 DEGREE OF PROTECTION: IP65 (MATED)

注释:
 1. 技术参数:
 主体材料: 铝合金
 表面处理: 粉末喷涂, 灰色
 工作温度: -40-+125°C
 防护等级: IP65(配合)



| | |
|----------------------|---------------------------|
| T1509100000-000 | H10A-AG |
| ASSEMBLY PART NUMBER | ASSEMBLY PART DESCRIPTION |

| | | | | |
|--|--|-----------------------------|------------------|--|
| THIS DRAWING IS A CONTROLLED DOCUMENT. | | DWN 24APR2015 DAVID LI | TE Connectivity | |
| DIMENSIONS: mm | | CHK 24APR2015 CHRIS WANG | | |
| TOLERANCES UNLESS OTHERWISE SPECIFIED: | | APVD 24APR2015 XU XIANG | NAME H10A-AG | |
| 0 PLC ±- | | PRODUCT SPEC | 108-137010 | |
| 1 PLC ±- | | APPLICATION SPEC | 114-137010 | |
| 2 PLC ±- | | WEIGHT | - | |
| 3 PLC ±- | | SIZE | A3 | |
| 4 PLC ±- | | CAGE CODE | - | |
| ANGLES ±- | | DRAWING NO | C-T1509100000000 | |
| FINISH | | RESTRICTED TO | - | |
| MATERIAL | | SCALE | 1:1 | |
| - | | SHEET | 1 OF 1 | |
| - | | REV | A | |
| CUSTOMER DRAWING | | | | |