

THIS DRAWING IS UNPUBLISHED.

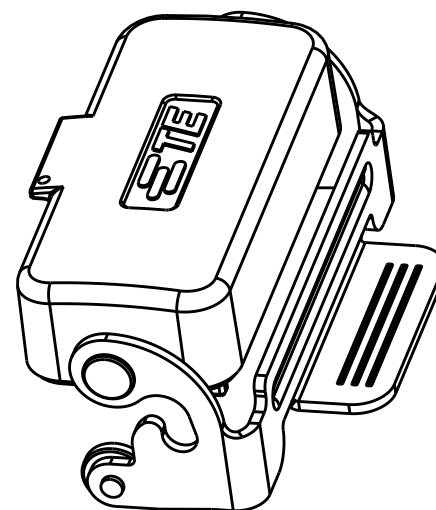
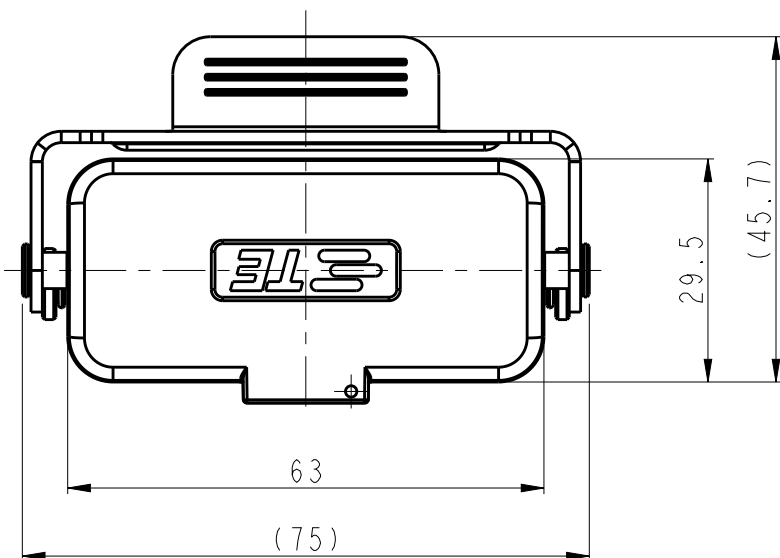
RELEASED FOR PUBLICATION

20

© COPYRIGHT 20 BY - ALL RIGHTS RESERVED.

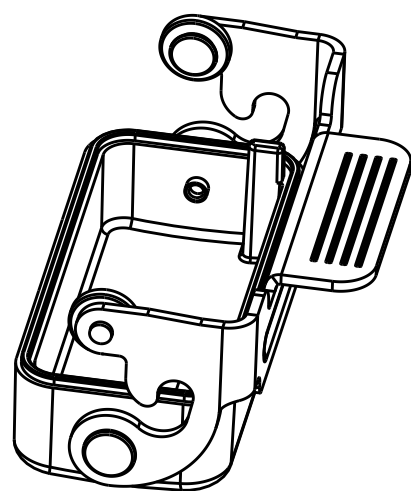
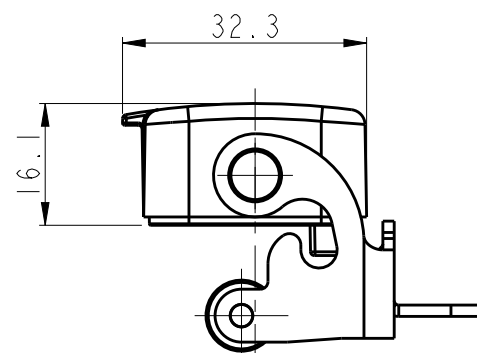
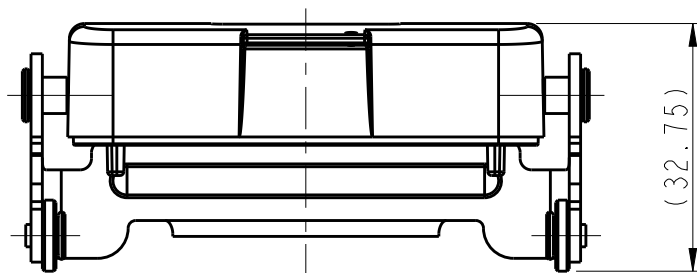
REVISIONS

P	LTR	DESCRIPTION	DATE	DWN	APVD
	A	INITIAL	23OCT2016	CH	CW
	AI	ECR-19-018119	28NOV2019	CH	CW




NOTES:  
 1. TECHNICAL CHARACTERISTICS:  
 HOOD MATERIAL: DIE CAST ALUMINIUM  
 HOOD SURFACE: POWDER COATED, GRAY  
 DEGREE OF PROTECTION: IP65 (MATED)

注释:  
 1. 技术参数:  
 壳体材料: 铝合金  
 壳体表面处理: 灰色粉末喷涂  
 防护等级: IP65(配合)



T1019101101-001	H10A-KDTMS-NA	H10A HOOD METAL PROTECTION COVER, STAINLESS STEEL SINGLE LOCKING, WITHOUT SEALING, WITHOUT NYLON ROPE, GRAY H10A上壳金属保护盖(不锈钢单扣、不带密封圈、不带尼龙绳、灰色)
-----------------	---------------	--------------------------------------------------------------------------------------------------------------------------------------------------

PART NUMBER 料号	PART DESCRIPTION 描述
-------------------	------------------------

THIS DRAWING IS A CONTROLLED DOCUMENT.		DWN 23OCT2016 CHARLIE.HU	 TE Connectivity	
DIMENSIONS: mm		CHK 23OCT2016 KYLE.ZENG		
TOLERANCES UNLESS OTHERWISE SPECIFIED:		APVD 23OCT2016 CHRIS.WANG	NAME H10A-KDTMS-NA	
0 PLC ±-		PRODUCT SPEC	-	
1 PLC ±-		APPLICATION SPEC	-	
2 PLC ±-		WEIGHT	-	
3 PLC ±-		CUSTOMER DRAWING	-	
4 PLC ±-		SCALE	1:1	
ANGLES ±-		SHEET	1 OF 1	
FINISH		REV	AI	
MATERIAL		SIZE	A3	
-		CAGE CODE	-	
-		DRAWING NO	G-T1019101101001	
-		RESTRICTED TO	-	